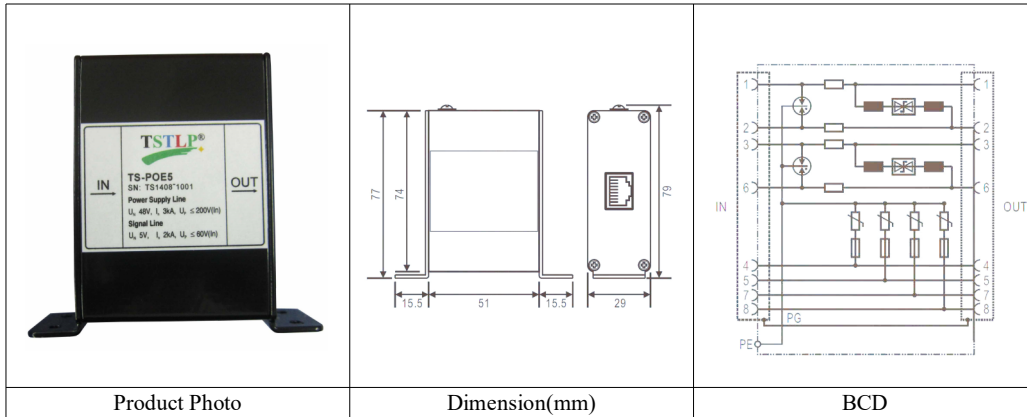




❖ TSTLP® Single-Port Surge Arrester for RJ45 Network Protection

- ❖ **INTRODUCTION:** TS-POE5 with RJ45 interface, according to IEC 61643-21; GB 18802.21; YD/T 1542, is designed for protecting POE network device; Normally applied for protecting for IP telephone, IP camera etc. for POE network device.



❖ TECHNICAL DATA

Model	TS-POE5	
	RJ45 interface	Power Supply line
Nominal voltage	Un 5V-	48V-
Rated voltage (max. continuous voltage)	Uc 6V-	60V-
Nominal discharge current (8/20)	In 2KA (line-line) 2KA (line-PG)	3KA
Combination wave (10/700)	Uoc 6KA (line-line) 6KA (line-PG)	---
Voltage protection level at In	Up ≤60V (line-line) ≤60V (line-PG)	≤200V
Response time	tA ≤1ns (line-line) ≤1ns (line-PG)	≤25ns
Bandwidth	fG 165Mbits/s	---
Max. data transmission rates	Vs 100Mbits/s	---
Protection lines	1 / 2 / 3 / 6	4 / 5 (+). 7 / 8 (-)
Operating temperature range	-40°C...+80°C	
Relative humidity	≤95% (25°C)	
Connection (input / output)	RJ45 shield socket	
Shield earthing	Screw terminal	
Enclosure material	Aluminum	
Standards	IEC 61643-21; GB 18802.21; YD/T 1542	
Compliance	CE(EMC,LVD)	

❖ MAIN CHARACTER

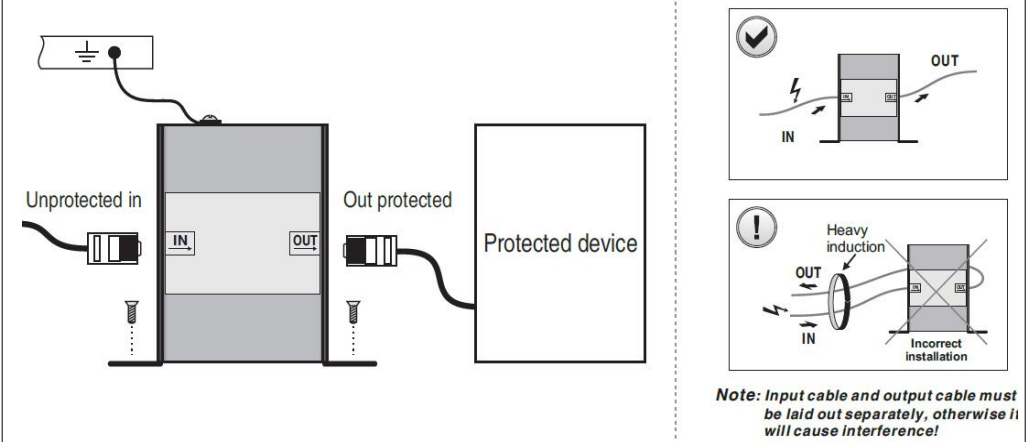
- ✓ POE network device, protect integrated power supply & network signal transmission cables in the twist pairs
- ✓ Good discharge capacity, low voltage protection level
- ✓ Quick response, high transmission speed, low signal attenuation
- ✓ RJ45 connection, easy for installation

INSTALLATION INSTRUCTION

1. This product is connected in series to the protected device.
2. The out terminal should be connected to the protected devices.
3. SPD's earthing terminal must be connected to nearby earthing BusBar or the metal earthing enclosure of protected device.
4. After above, you should ensure the circuit is functioning.

Regularly inspect the operating status, especially after lightning. Once the communication is off, electrician should check/replace the SPD.

TS-POE5 INSTALLATION DIAGRAM



WARNING:

- The device must be installed by electrically skilled person, conforming to national standards and safety regulations.
- It is recommended that installation should be done under power off condition.